



US Army Corps
of Engineers
Alaska District

Public Notice of Application for Permit

FAIRBANKS FIELD OFFICE
Regulatory Division (1145)
CEPOA-RD
2175 University Avenue, Suite 201E
Fairbanks, Alaska 99709-4927

PUBLIC NOTICE DATE:	December 31, 2014
EXPIRATION DATE:	January 29, 2015
REFERENCE NUMBER:	POA-2014-317
WATERWAY:	Happy Creek

Interested parties are hereby notified that a Department of the Army permit application has been received for work in waters of the United States as described below and shown on the enclosed project drawings.

Comments on the described work, with the reference number, should reach this office no later than the expiration date of this Public Notice to become part of the record and be considered in the decision. Please contact Melissa Riordan at (907) 474-2166, by fax at (907) 474-2164, or by email at melissa.c.riordan@usace.army.mil if further information is desired concerning this notice.

APPLICANT: Alaska Department of Transportation and Public Facilities, Mr. Brett Nelson, 2301 Peger Road, MS-2550, Fairbanks, Alaska 99709

LOCATION: The project site is located within Section 36, T. 1 N., R. 2 W.; Section 31, T. 1 N., R. 1 W.; Section 1, T. 1 S., R. 2 W., Section 6, T. 1 S., R. 1 W., Fairbanks Meridian; USGS Quad Map Fairbanks D-2; Latitude 64.8750° N., Longitude 147.8798° W.; near Fairbanks, Alaska.

PURPOSE: The applicant's stated purpose is to provide pedestrian safety by providing a separated path for non-motorized recreational users and link to existing multi-use paths in the area.

PROPOSED WORK: The applicant proposes to discharge approximately 6,000 cubic yards of permanent fill into 2.0 acres of wetlands and temporarily impact 2.0 acres of wetlands to construct an 8-foot wide multi-use path. The path is approximately 4.2 mile long, with a 2,500 foot long segment located in wetlands. All work would be performed in accordance with the enclosed plan, (Sheets 1-6), dated 12/02/2014.

APPLICANT PROPOSED MITIGATION: The applicant proposes the following mitigation measures to avoid, minimize, and compensate for impacts to waters of the United States from activities involving discharges of dredged or fill material.

a. Avoidance: A majority of the project length is located in uplands, and the areas with proposed impacts to wetlands are unavoidable in order to connect to existing multi-use paths in the area.

b. Minimization: The multi-use path has integrated some of the existing adjacent road prism into the project design to minimize impacts to wetlands. The additional embankment footprint that would impact wetlands is the minimum needed to achieve current safety standards while allowing for a long lasting base. A SWPPP would be developed and Best Management Practices (BMPs) employed for storm water management during project work. BMPs would include seeding temporarily impacted wetland areas as well as other disturbed areas with native perennial seed.

c. Compensatory Mitigation: The applicant proposes compensatory mitigation for unavoidable, permanent impacts through the purchase of 3 credits (2 acres at a ratio of 1.5:1, for preservation) from the Tanana River Watershed Mitigation Bank.

WATER QUALITY CERTIFICATION: A permit for the described work will not be issued until a certification or waiver of certification, as required under Section 401 of the Clean Water Act (Public Law 95-217), has been received from the Alaska Department of Environmental Conservation.

CULTURAL RESOURCES: The latest published version of the Alaska Heritage Resources Survey (AHRs) has been consulted for the presence or absence of historic properties, including those listed in or eligible for inclusion in the National Register of Historic Places. There are no listed or eligible properties in the vicinity of the worksite. Consultation of the AHRs constitutes the extent of cultural resource investigations by the District Commander at this time, and he is otherwise unaware of the presence of such resources. This application is being coordinated with the State Historic Preservation Office (SHPO). Any comments State Historic Preservation Office (SHPO) may have concerning presently unknown archeological or historic data that may be lost or destroyed by work under the requested permit will be considered in our final assessment of the described work.

ENDANGERED SPECIES: No threatened or endangered species are known to use the project area. We have determined the described activity would have no effect on any listed or proposed threatened or endangered species, and would have no effect on any designated or proposed critical habitat, under the Endangered Species Act of 1973 (87 Stat. 844). Therefore, no consultation with the U.S. Fish and Wildlife Service or the National Marine Fisheries Service is required. However, any comments they may have concerning endangered or threatened wildlife or plants or their critical habitat will be considered in our final assessment of the described work.

ESSENTIAL FISH HABITAT: The Magnuson-Stevens Fishery Conservation and Management Act, as amended by the Sustainable Fisheries Act of 1996, requires all Federal agencies to consult with the NMFS on all actions, or proposed actions, permitted, funded, or undertaken by the agency, that may adversely affect Essential Fish Habitat (EFH).

No EFH species are known to use the project area. We have determined the described activity would not adversely affect EFH in the project area.

TRIBAL CONSULTATION: The Alaska District fully supports tribal self-governance and government-to-government relations between Federally recognized Tribes and the Federal government. Tribes with protected rights or resources that could be significantly affected by a proposed Federal action (e.g., a permit decision) have the right to consult with the Alaska District on a government-to-government basis. Views of each Tribe regarding protected rights and resources will be accorded due consideration in this process. This Public Notice serves as notification to the Tribes within the area potentially affected by the proposed work and invites their participation in the Federal decision-making process regarding the protected Tribal right or resource. Consultation may be initiated by the affected Tribe upon written request to the District Commander during the public comment period.

PUBLIC HEARING: Any person may request, in writing, within the comment period specified in this notice, that a public hearing be held to consider this application. Requests for public hearings shall state, with particularity, reasons for holding a public hearing.

EVALUATION: The decision whether to issue a permit will be based on an evaluation of the probable impacts, including cumulative impacts of the proposed activity and its intended use on the public interest. Evaluation of the probable impacts, which the proposed activity may have on the public interest, requires a careful weighing of all the factors that become relevant in each particular case. The benefits, which reasonably may be expected to accrue from the proposal, must be balanced against its reasonably foreseeable detriments. The outcome of the general balancing process would determine whether to authorize a proposal, and if so, the conditions under which it will be allowed to occur. The decision should reflect the national concern for both protection and utilization of important resources. All factors, which may be relevant to the proposal, must be considered including the cumulative effects thereof. Among those are conservation, economics, aesthetics, general environmental concerns, wetlands, cultural values, fish and wildlife values, flood hazards, floodplain values, land use, navigation, shore erosion and accretion, recreation, water supply and conservation, water quality, energy needs, safety, food and fiber production, mineral needs, considerations of property ownership, and, in general, the needs and welfare of the people. For activities involving 404 discharges, a permit will be denied if the discharge that would be authorized by such permit would not comply with the Environmental Protection Agency's 404(b)(1) guidelines. Subject to the preceding sentence and any other applicable guidelines or criteria (see Sections 320.2 and 320.3), a permit will be granted unless the District Commander determines that it would be contrary to the public interest.

The Corps of Engineers is soliciting comments from the public; Federal, State, and local agencies and officials; Indian Tribes; and other interested parties in order to consider and evaluate the impacts of this proposed activity. Any comments received will be considered by the Corps of Engineers to determine whether to issue, modify, condition or deny a permit for this proposal. To make this decision, comments are used to assess impacts on endangered species, historic properties, water quality, general environmental effects, and the other public interest factors listed above. Comments are used in the preparation of an Environmental Assessment and/or an Environmental Impact Statement pursuant to the National Environmental Policy Act. Comments are also used to determine the need for a public hearing and to determine the overall public interest of the proposed activity.

AUTHORITY: This permit will be issued or denied under the following authority:

(X) Discharge dredged or fill material into waters of the United States – Section 404 Clean Water Act (33 U.S.C. 1344). Therefore, our public interest review will consider the guidelines set forth under Section 404(b) of the Clean Water Act (40 CFR 230).

Project drawings and a Notice of Application for State Water Quality Certification are enclosed with this Public Notice.

District Commander
U.S. Army, Corps of Engineers

Enclosures

STATE OF ALASKA

DEPT. OF ENVIRONMENTAL CONSERVATION
DIVISION OF WATER
401 Certification Program
Non-Point Source Water Pollution Control Program

ANCHORAGE

DEPARTMENT OF ENVIRONMENTAL CONSERVATION
WQM/401 CERTIFICATION
555 CORDOVA STREET
ANCHORAGE, ALASKA 99501-2617
PHONE: (907) 269-7564/FAX: (907) 334-2415

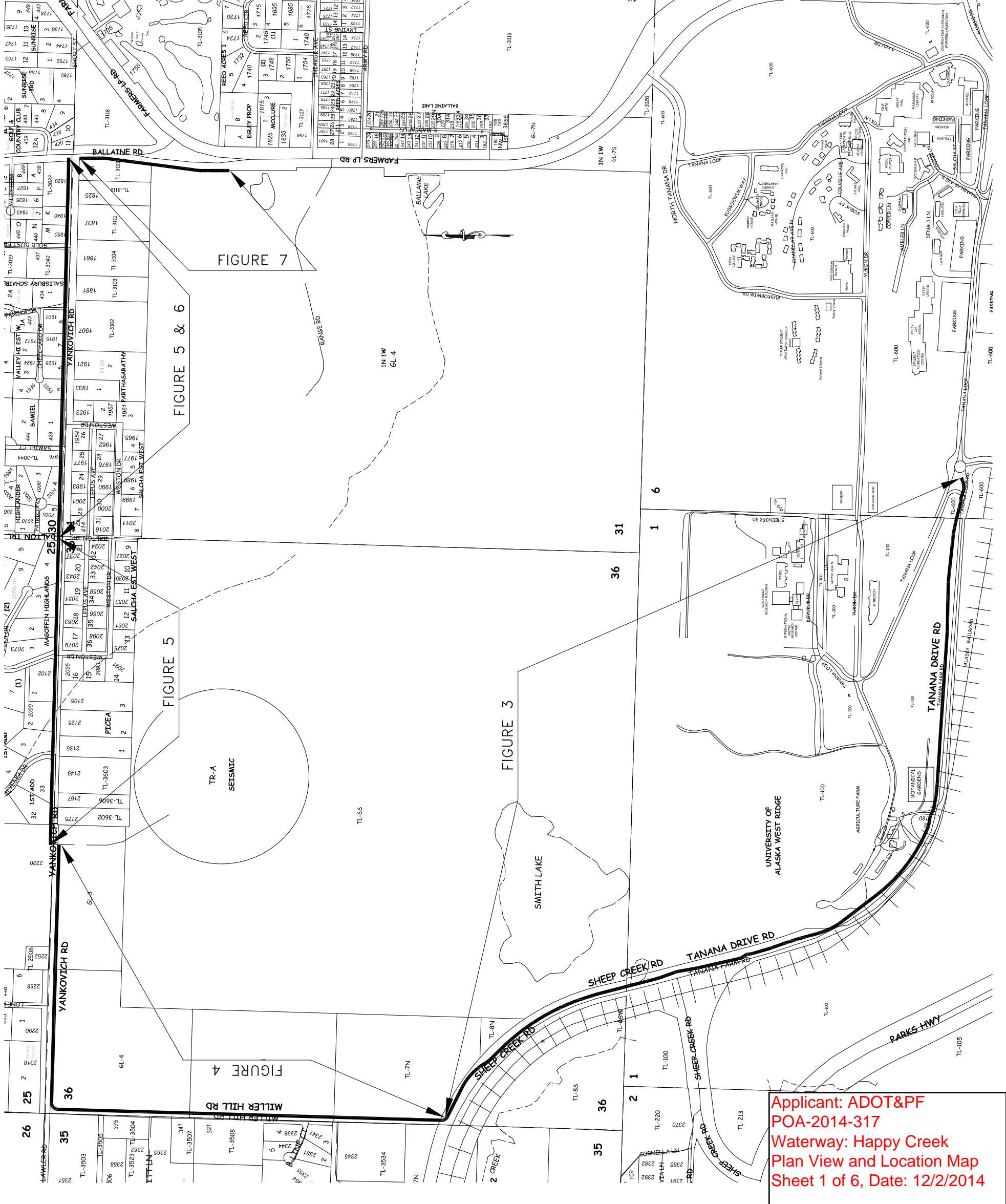
NOTICE OF APPLICATION FOR STATE WATER QUALITY CERTIFICATION

Any applicant for a federal license or permit to conduct an activity that might result in a discharge into navigable waters, in accordance with Section 401 of the Clean Water Act of 1977 (PL95-217), also must apply for and obtain certification from the Alaska Department of Environmental Conservation that the discharge will comply with the Clean Water Act, the Alaska Water Quality Standards, and other applicable State laws. By agreement between the U.S. Army Corps of Engineers and the Department of Environmental Conservation, application for a Department of the Army permit to discharge dredged or fill material into navigable waters under Section 404 of the Clean Water Act also may serve as application for State Water Quality Certification.

Notice is hereby given that the application for a Department of the Army Permit described in the Corps of Engineers' Public Notice No. **POA-2014-317**, serves as application for State Water Quality Certification from the Department of Environmental Conservation.

After reviewing the application, the Department may certify there is reasonable assurance the activity, and any discharge that might result, will comply with the Clean Water Act, the Alaska Water Quality Standards, and other applicable State laws. The Department also may deny or waive certification.

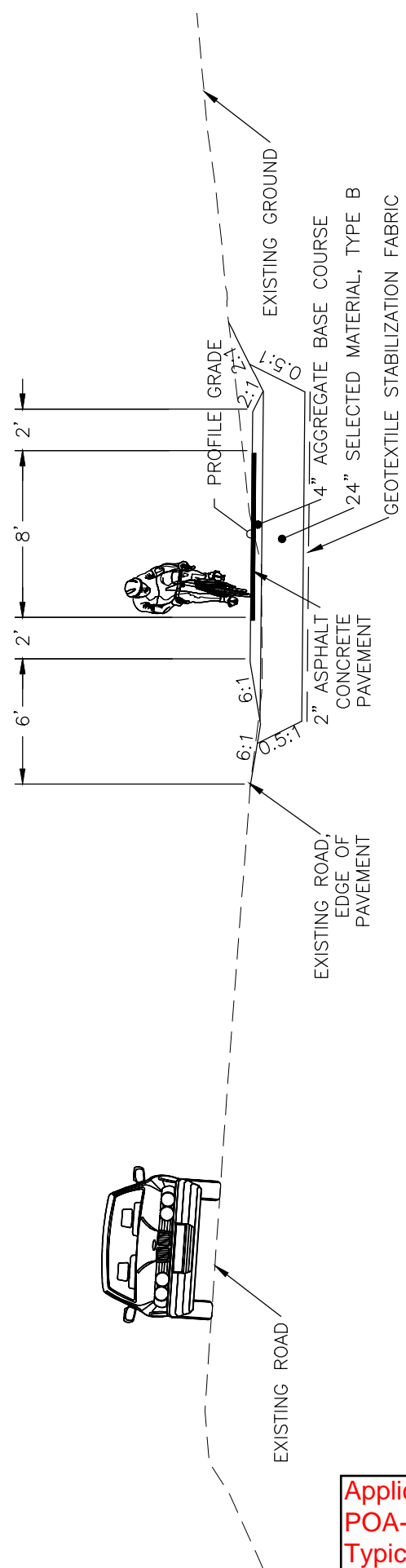
Any person desiring to comment on the project, with respect to Water Quality Certification, may submit written comments to the address above by the expiration date of the Corps of Engineer's Public Notice.



Applicant: ADOT&PF
POA-2014-317
Waterway: Happy Creek
Plan View and Location Map
Sheet 1 of 6, Date: 12/2/2014

STATE	PROJECT DESIGNATION	YEAR	SHEET NO.	TOTAL SHEETS
ALASKA	76707	2014	1	5

V:\Hwy\76707\6 Design\2 DSR\TypSect_1-2-5-Fig 1

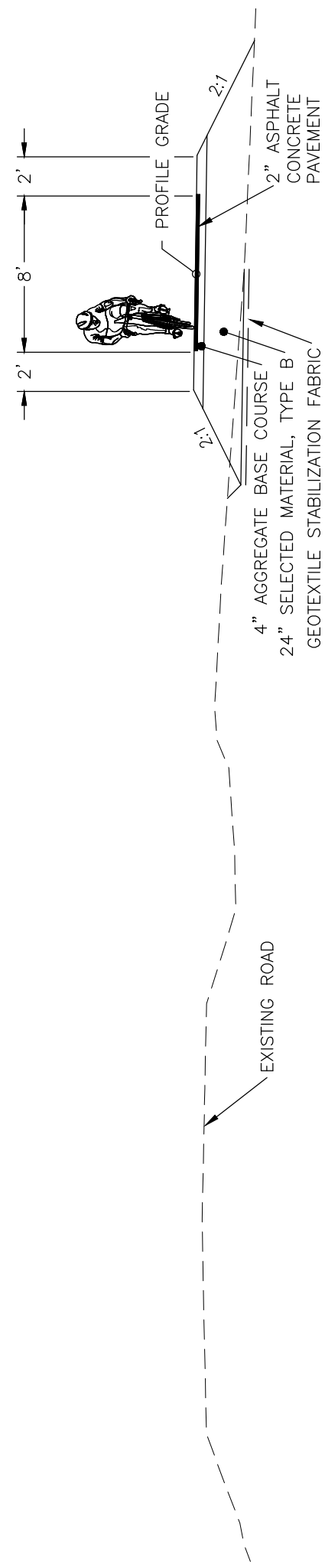


TANANA DRIVE ROUNDABOUT TO SHEEP CREEK RD
PROPOSED TYPICAL SECTION

Applicant: ADOT&PF
 POA-2014-317
 Typical Section
 Sheet 2 of 6, Date: 12/02/2014

STATE	PROJECT DESIGNATION	YEAR	SHEET NO.	TOTAL SHEETS
ALASKA	76707	2014	2	5

V:\Hwy\76707\6 Design\2 DSR\TypSect_1-2-5-Fig 2

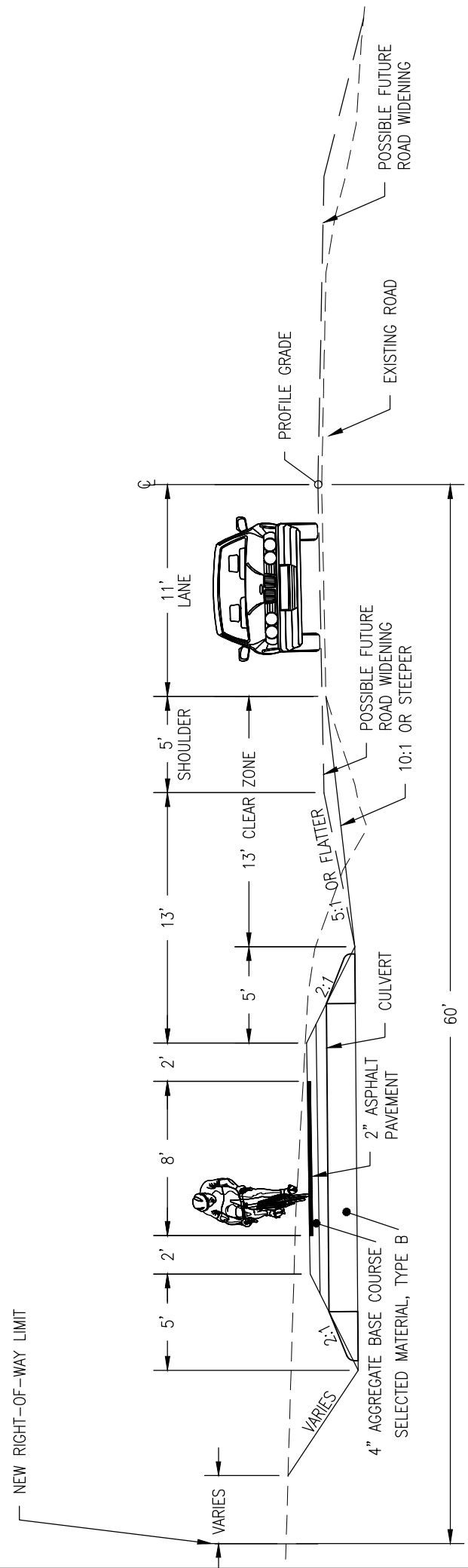


SHEEP CREEK RD TO NORTH YANKOVICH RD
PROPOSED TYPICAL SECTION

Applicant: ADOT&PF
 POA-2014-317
 Typical Section
 Sheet 3 of 6, Date: 12/02/2014

STATE	PROJECT DESIGNATION	YEAR	SHEET NO.	TOTAL SHEETS
ALASKA	76707	2014	3	5

V:\Hwy\76707\6 Design\2 DSR\TypSectYank-rev1-Fig 3

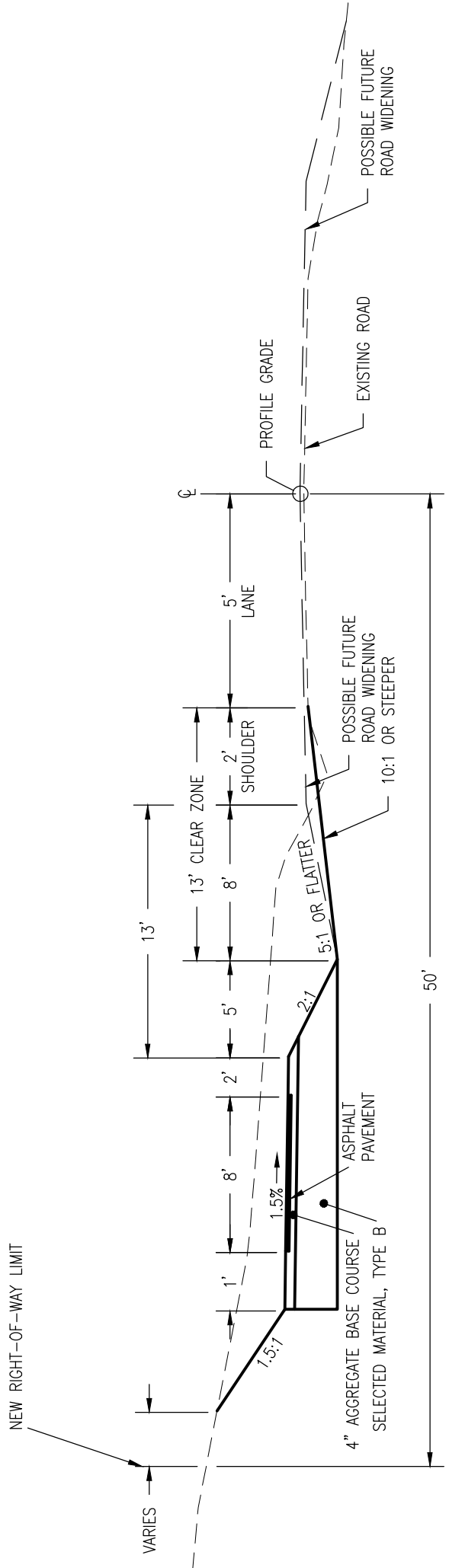


YANKOVICH ROAD PATH
PROPOSED TYPICAL SECTION
(MUSKOX FARM TO BALLAINE ROAD)

Applicant: ADOT&PF
 POA-2014-317
 Typical Section
 Sheet 4 of 6, Date: 12/02/2014

STATE	PROJECT DESIGNATION	YEAR	SHEET NO.	TOTAL SHEETS
ALASKA	76707	2014	4	5

V:\Hwy\76707\6 Design\2 DSR\TypSect\Yank-rev1-Fig 4

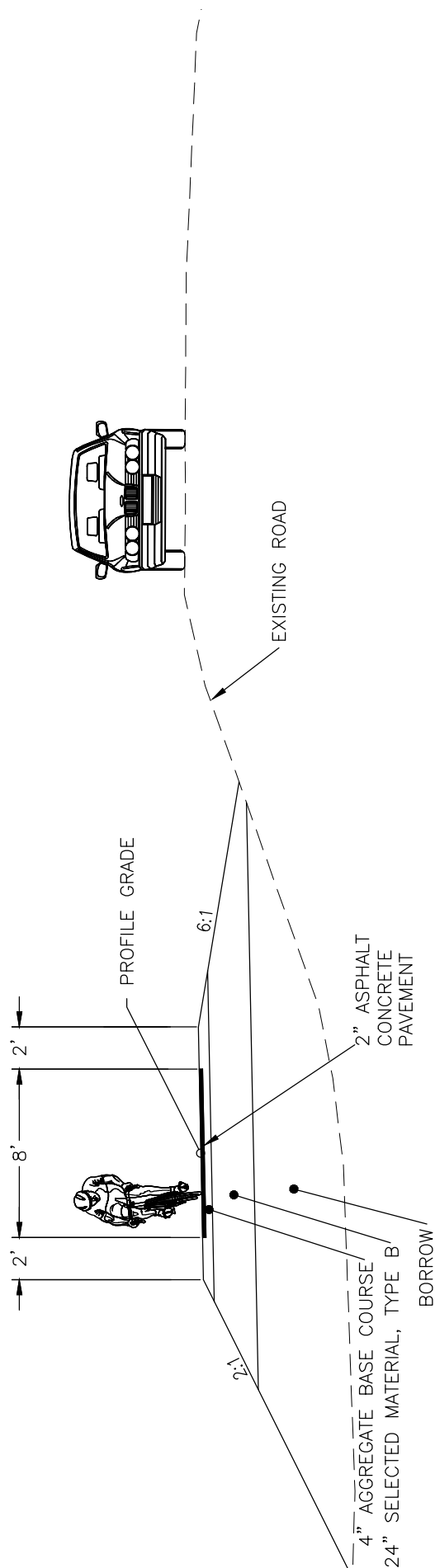


YANKOVICH ROAD PATH
SEPARATED - SINGLE DITCH
(DALTON TRAIL TO BALLAINE ROAD - WHERE POSSIBLE)

Applicant: ADOT&PF
POA-2014-317
Typical Section
Sheet 5 of 6, Date: 12/02/2014

STATE	PROJECT DESIGNATION	YEAR	SHEET NO.	TOTAL SHEETS
ALASKA	76707	2014	5	5

V:\Hwy\76707\6 Design\2 DSR\TypSect_1-2-5-Fig 5



**BALLAINE ROAD TO PROJECT END
PROPOSED TYPICAL SECTION**

Applicant: ADOT&PF
 POA-2014-317
 Typical Section
 Sheet 6 of 6, Date: 12/02/2014